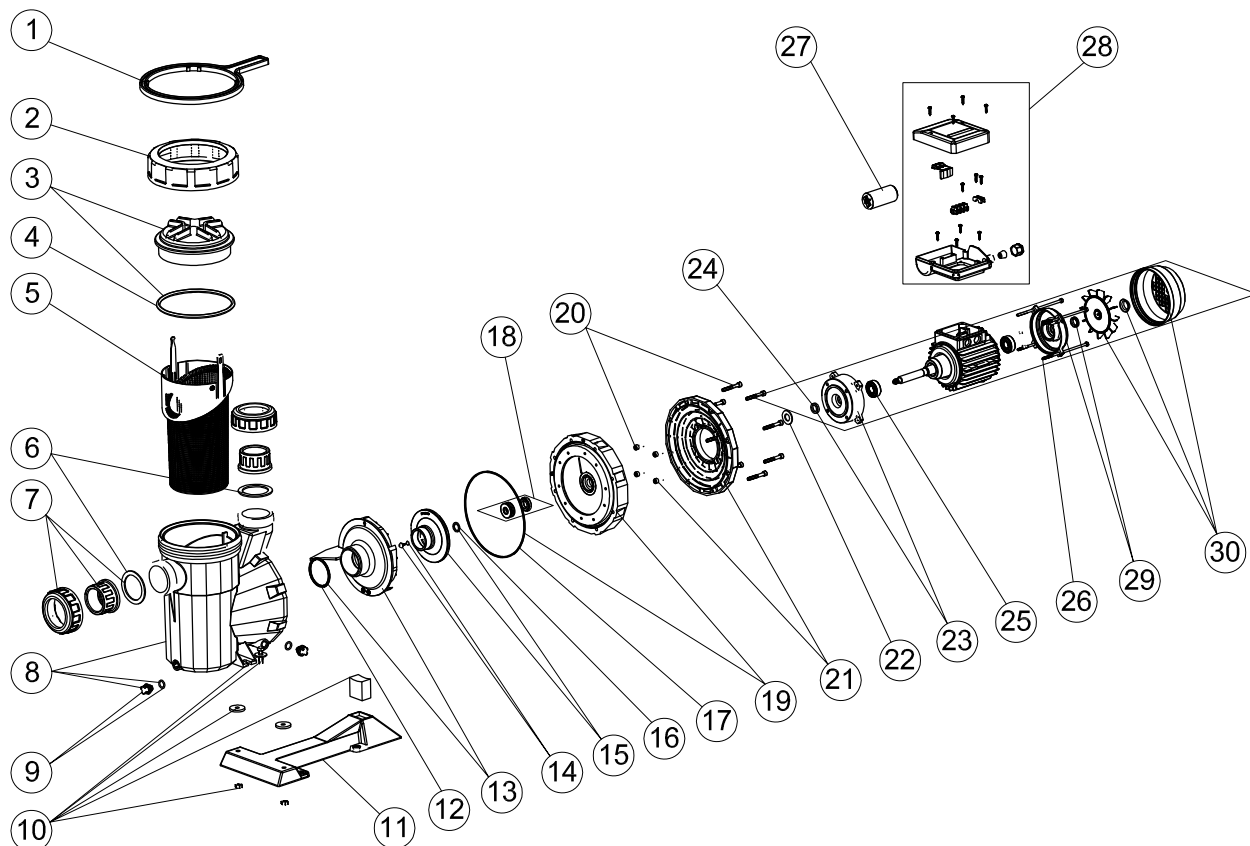


CODIGO : 38769 al 38780 41224
DESCRIPCION : BOMBA ASTRAL VICTORIA PLUS



Pos.	CODIGO	DENOMINACION	Pos.	CODIGO	DENOMINACION
1	4404130103	LLAVE TUERCA FILTRO	21	4405010130	BRIDA MOTOR 1/2 A 1 HP
2	4404130101	TUERCA TAPA PREFILTRO	21	4405010131	BRIDA MOTOR 1,5 A 3 HP
3	4405010702	TAPA PREFILTRO	22	4405010163	ARANDELA DEFLECTORA C.71 1/2 - 3/4 - 1 HP
4	4405010178	JUNTA PREFILTRO	22	4405010164	ARANDELA DEFLECTORA C.80 1,5 - 2 - 3 HP
5	4405010105	CESTO PREFILTRO	23	4405010137	TAPA DELANTERA MOTOR 0,5 HP
6	4405010179	JUNTA PLANA 72x55x2,5	23	4405010138	TAPA DELANTERA MOTOR 0,75 - 1 HP
7	4405010106	ACCESORIOS ENLACE 1/2 - 1 HP	23	4405010139	TAPA DELANTERA MOTOR 1,5 - 3 HP
7	4405010107	ACCESORIOS ENLACE 1,5 - 2 HP	23	4405010167	BRIDA MEC. B14 RED. C/CAJERA D52 NEGRA
7	4405010108	ACCESORIOS ENLACE 3 HP	24	4405010158	V-RINGS 0,5 - 1 HP
8	4405010109	CUERPO BOMBA	24	4405010159	V-RINGS 1,5 - 3 HP
9	4405010110	TAPONES PURGA 1/4"	24	4405010176	V-RINGS VA-2 - 3 HP
10	4405010206	UNION HIDRAULICA PIE 1/3 A 1 HP	25	4405010135	RODAMIENTO MOTOR 1/3 - 1/2 - 3/4 - 1 HP
10	4405010113	UNION HIDRAULICA PIE 2 - 3 HP III	25	4405010136	RODAMIENTO MOTOR 1,5 - 2 - 3 HP
10	4405010180	UNION HIDRAULICA PIE 3 HP II	25	4405010171	CONJUNTO RODAMIENTO 6205 2 RS C.90
11	4405010207	PIE BOMBA 1/2 A 1 HP	26	4405010143	VARILLAS MOTOR 1/3 A 1/2 HP
11	4405010114	PIE BOMBA 1,5 A 3 HP	26	4405010144	VARILLAS MOTOR 0,75 - 1 HP
12	4405010161	JUNTA TORICA D. 56,7x3,5	26	4405010145	VARILLAS MOTOR 1,5 - 3 HP III
13	4405010115	DIFUSOR 1/2 - 3/4 HP	26	4405010169	VARILLAS MOTOR 3 HP II
13	4405010116	DIFUSOR 1 - 2 HP	27	4405010149	CONDENSADOR 12 uf
13	4405010117	DIFUSOR 3 HP	27	4405020121	CONDENSADOR 14 uf
14	4405010134	TAPON RODETE M 8 IZQUIERDA	27	4405020122	CONDENSADOR 16 uf
15	4405010165	RODETE 0,33 HP II 50 Hz	27	4405010150	CONDENSADOR 18 uf
15	4405010119	RODETE 0,5 HP II 50 Hz	27	4405010151	CONDENSADOR 20 uf
15	4405010120	RODETE 0,5 HP III 50 Hz	27	4405010152	CONDENSADOR 25 uf
15	4405010121	RODETE 0,75 HP II 50 Hz	27	4405010174	CONDENSADOR 32 uf
15	4405010122	RODETE 0,75 HP III 50 Hz	27	4405010153	CONDENSADOR 35 uf
15	4405010123	RODETE 1 HP II 50 Hz	27	4405010175	CONDENSADOR 50 uf
15	4405010124	RODETE 1 HP III 50 Hz	28	4405010154	CONJUNTO CAJA BORNES 3/4 - 1 HP II
15	4405010125	RODETE 1,5 HP II 50 Hz	28	4405010155	CONJUNTO CAJA BORNES 3 HP II
15	4405010126	RODETE 1,5 HP III 50 Hz	28	4405010156	TAPA CAJA BORNES 1/3 A 1 HP III
15	4405010127	RODETE 2 HP II 50 Hz	28	4405010157	CONJUNTO CAJA BORNES 1/2 A 3 HP III
15	4405010128	RODETE 2 HP III 50 Hz	29	4405010140	TAPA TRASERA MOTOR 0,5 HP
15	4405010166	RODETE 3 HP III 50 Hz	29	4405010141	TAPA TRASERA MOTOR 0,75 - 1 HP
15	4405010129	RODETE 3 HP III 50 Hz	29	4405010142	TAPA TRASERA MOTOR 1.5 - 2 - 3 HP III
16	4405010162	ARANDELA TOPE	29	4405010168	TAPA MOTOR MEC. C/CAJERA D52 3 HP II
17	4405010160	JUNTA BRIDA MOTOR	30	4405010146	CONJUNTO VENTILADOR-TAPA 0,5 HP
18	4405010118	JUNTA MECANICA	30	4405010147	CONJUNTO VENTILADOR-TAPA 0,75 - 1 HP
19	4405010132	BRIDA SELLO MECANICO	30	4405010148	CONJUNTO VENTILADOR-TAPA 1,5 - 3 HP
20	4405010133	TORNILLERIA BRIDA MOTOR	30	4405010170	CONJUNTO VENTILADOR-TAPA 3 HP

ENGLISH

POS.	CODE	DESCRIPTION	POS.	CODE	DESCRIPTION
1	4404130103	LID SPANNER	21	4405010130	MOTOR CLAMP <= 1 HP
2	4404130101	PRE-FILTER COVER NUT	21	4405010131	MOTOR CLAMP 1,5 HP - 3HP
3	4405010702	PRE-FILTER COVER	22	4405010163	DEFLECTOR WASHER C.71 1/2-1 HP
4	4405010178	O' RING D 151,7x6,99	22	4405010164	DEFLECTOR WASHER C.80 1,5-3 HP
5	4405010105	PRE-FILTER BASKET	23	4405010137	FRONT MOTOR COVER 0,5 HP
6	4405010179	INLET GASKET 72x55x2,5	23	4405010138	FRONT MOTOR COVER 0,75 - 1 HP
7	4405010106	UNION FITTINGS <= 1 HP	23	4405010139	FRONT MOTOR COVER 1,5 - 2 - 3 HP III
7	4405010107	UNION FITTINGS 1,5 HP - 2 HP	23	4405010167	MEC. BRIDLE 2,5-3 HP B14 REDUCED BEARING D52 BLACK
7	4405010108	UNION FITTINGS 3 HP	24	4405010158	V-RINGS 0,5 HP - 1 HP
8	4405010109	PUMP HOUSING	24	4405010159	V-RINGS 1,5 HP - 3 HP
9	4405010110	DRAIN PLUG ¼"	24	4405010176	V-RINGS VA-25 3 HP II
10	4405010206	PUMP BASE FITTINGS	25	4405010135	MOTOR BEARINGS < 1 HP
10	4405010113	PUMP BASE FITTINGS 2 HP - 3 HP	25	4405010136	MOTOR BEARINGS 1,5 HP - 3 HP
10	4405010180	PUMP BASE FITTINGS 3 HP II	25	4405010171	BEARINGS ASSEMBLY 6205 2RS 3,5HP
11	4405010207	PUMP BASE	26	4405010143	MOTOR TIES C. 63
11	4405010114	PUMP BASE	26	4405010144	MOTOR TIES 0,75 - 1 HP
12	4405010161	O' RING D. 56,7x3,5	26	4405010145	MOTOR TIES 1,5 - 3 HP III
13	4405010115	DIFFUSOR <=0,75 HP	26	4405010169	MOTOR TIES (90) 3 HP II
13	4405010116	DIFFUSOR 1 HP - 2 HP	27	4405010149	CONDENSER 12 uF
13	4405010117	DIFFUSOR 3HP	27	4405020121	CONDENSER 14 uF
14	4405010134	IMPELLER COVER M8 LEFT	27	4405020122	CONDENSER 16 uF
15	4405010165	IMPELLER 1/3 HP 50 Hz	27	4405010150	CONDENSER 18 uF
15	4405010119	IMPELLER 0,5 HP II 50 Hz	27	4405010151	CONDENSER 20 uF
15	4405010120	IMPELLER 0,5 HP III 50 Hz	27	4405010152	CONDENSER 25 uF
15	4405010121	IMPELLER 0,75 HP II 50 Hz	27	4405010174	CONDENSER 32 µF
15	4405010122	IMPELLER 0,75 HP III 50 Hz	27	4405010175	CONDENSER 40 µF
15	4405010123	IMPELLER 1 HP II 50 Hz	27	4405010153	CONDENSER 35 uF
15	4405010124	IMPELLER 1 HP III 50 Hz	28	4405010154	TERMINAL BOX ASSEMBLY C. 63-71 II
15	4405010125	IMPELLER 1,5 HP II 50 Hz	28	4405010155	TERMINAL BOX ASSEMBLY 2-2,5-3 HP (ANDIA)
15	4405010126	IMPELLER 1,5 HP III 50 Hz	28	4405010156	TERMINAL BOX COVER C 63-71 III
15	4405010127	IMPELLER 2 HP II 50 Hz	28	4405010157	TERMINAL BOX ASSEMBLY C. 80-90 III
15	4405010128	IMPELLER 2 HP III 50 Hz	29	4405010140	REAR MOTOR COVER 1/3 A 1/2 HP
15	4405010166	IMPELLER 3 HP II 50 Hz	29	4405010141	REAR MOTOR COVER 3/4 A 1 HP
15	4405010129	IMPELLER 3 HP III 50 Hz	29	4405010142	REAR MOTOR COVER 1,5 - 3 HP III
16	4405010162	DEFLECTOR WASHER (1/2-3/4-1-1,5-2 HP)	29	4405010168	MEC. MOTOR COVER 2,5-3 HP BEARING D52
17	4405010160	MOTOR CLAMP GASKET	30	4405010146	FAN COVER ASSEMBLY 0,5 HP
18	4405010118	MECHANICAL SEAL	30	4405010147	FAN COVER ASSEMBLY 0,75 - 1 HP
19	4405010132	MECHANICAL SEAL PLATE	30	4405010148	FAN COVER ASSEMBLY 1,5 - 2 - 3 HP III
20	4405010133	FLANGE SCREWS	30	4405010170	FAN COVER ASSEMBLY 3 HP II

FRANÇAIS

POS.	CODE	DESCRIPTION	POS.	CODE	DESCRIPTION
1	4404130103	CLE ECRou DE FILTRE	21	4405010130	FLASQUE ACCOUP. MOTEUR <= 1 HP
2	4404130101	ECROU COUVERCLE PRÉFILTRE	21	4405010131	FLASQUE ACCOUP. MOTEUR 1,5 HP - 3HP
3	4405010702	COUVERCLE PRÉFILTRE	22	4405010163	JOINT RAMASSE GOUTTES C.71 1/2-1 HP
4	4405010178	JOINT TORIQUE D 151,7x6,99	22	4405010164	JOINT RAMASSE GOUTTES C.80 1,5-3 HP
5	4405010105	PANIER PRÉFILTRE	23	4405010137	COUVERCLE AXE MOTEUR 0,5 HP
6	4405010179	JOINT PLAT 72x55x2,5	23	4405010138	COUVERCLE AXE MOTEUR 0,75 - 1 HP
7	4405010106	RACCORDS UNION <= 1 HP	23	4405010139	COUVERCLE AXE MOTEUR 1,5 - 2 - 3 HP III
7	4405010107	RACCORDS UNION 1,5 HP - 2 HP	23	4405010167	FLASQUE MEC. 2,5-3 HP B14 RÉDUIT ROULEMENT D52 NOIR
7	4405010108	RACCORDS UNION 3 HP	24	4405010158	V-RINGS 0,5 HP - 1 HP
8	4405010109	CORPS POMPE	24	4405010159	V-RINGS 1,5 HP - 3 HP
9	4405010110	BOUCHON DE PURGUE ¼"	24	4405010176	V-RINGS VA-25 3 HP II
10	4405010206	RACCORD HYDRAULIQUE DE PIED	25	4405010135	ROULEMENT MOTEUR < 1 HP
10	4405010113	RACCORD HYDRAULIQUE DE PIED 2 HP - 3 HP	25	4405010136	ROULEMENT MOTEUR 1,5 HP - 3 HP
10	4405010180	RACCORD HYDRAULIQUE DE PIED 3 HP II	25	4405010171	ENSEMBLE ROULEMENT 6205 2RS 3,5HP
11	4405010207	SOCLE POMPE	26	4405010143	TIRANTS D'ACCOUPLLEMENT MOTEUR C. 63
11	4405010114	SOCLE POMPE	26	4405010144	TIRANTS D'ACCOUPLLEMENT MOTEUR 0,75 - 1 HP
12	4405010161	JOINT TORIQUE D 56,7x3,5	26	4405010145	TIRANTS D'ACCOUPLLEMENT MOTEUR 1,5 - 3 HP III
13	4405010115	DIFFUSEUR <=0,75 HP	26	4405010169	TIRANTS D'ACCOUPLLEMENT MOTEUR (90) 3 HP II
13	4405010116	DIFFUSEUR 1 HP - 2 HP	27	4405010149	CONDENSATEUR 12 uF
13	4405010117	DIFFUSEUR 3HP	27	4405020121	CONDENSATEUR 14 uF
14	4405010134	BOUCHON BOUT AXE M8 IZQ.	27	4405020122	CONDENSATEUR 16 uF
15	4405010165	TURBINE 1/3 HP 50 Hz	27	4405010150	CONDENSATEUR 18 uF
15	4405010119	TURBINE 0,5 HP II 50 Hz	27	4405010151	CONDENSATEUR 20 uF
15	4405010120	TURBINE 0,5 HP III 50 Hz	27	4405010152	CONDENSATEUR 25 uF
15	4405010121	TURBINE 0,75 HP II 50 Hz	27	4405010174	CONDENSATEUR 32 µF
15	4405010122	TURBINE 0,75 HP III 50 Hz	27	4405010175	CONDENSATEUR 40 µF
15	4405010123	TURBINE 1 HP II 50 Hz	27	4405010153	CONDENSATEUR 35 uF
15	4405010124	TURBINE 1 HP III 50 Hz	28	4405010154	ENSEMBLE BOITIER CONNEXION C. 63-71 II
15	4405010125	TURBINE 1,5 HP II 50 Hz	28	4405010155	ENSEMBLE BOITIER CONNEXION 2-2,5-3 HP (ANDIA)
15	4405010126	TURBINE 1,5 HP III 50 Hz	28	4405010156	COUVERCLE BORNIER C 63-71 III
15	4405010127	TURBINE 2 HP II 50 Hz	28	4405010157	ENSEMBLE BOITIER CONNEXION C.80-90 III
15	4405010128	TURBINE 2 HP III 50 Hz	29	4405010140	COUVERCLE ARRIÈRE MOTEUR 1/3 A 1/2 HP
15	4405010166	TURBINE 3 HP II 50 Hz	29	4405010141	COUVERCLE ARRIÈRE MOTEUR 3/4 A 1 HP
15	4405010129	TURBINE 3 HP III 50 Hz	29	4405010142	COUVERCLE ARRIÈRE MOTEUR 1,5 - 3 HP III
16	4405010162	JOINT RAMASSE GOUTTES (1/2-3/4-1-1,5-2 HP)	29	4405010168	COUVERCLE MOTEUR MEC. 2,5-3 HP ROULEMENT D52
17	4405010160	JOINT FLASQUE ACCOUP. MOTEUR	30	4405010146	ENSEMBLE COUVERCLE VENTILATEUR 0,5 HP
18	4405010118	GARNITURE MÉCANIQUE	30	4405010147	ENSEMBLE COUVERCLE VENTILATEUR 0,75 - 1 HP
19	4405010132	FLASQUE PORTE GRANITURE	30	4405010148	ENSEMBLE COUVERCLE VENTILATEUR 1,5 - 2 - 3 HP III
20	4405010133	VIS FLASQUE ACCOUP. MOTEUR	30	4405010170	ENSEMBLE COUVERCLE VENTILATEUR 3 HP II

ITALIANO

POS.	CODE	DESCRIPTION	POS.	CODE	DESCRIPTION
1	4404130103	CHIAVE GHIERA PER FILTRO	21	4405010130	FLANGIA MOTORE <= 1 HP
2	4404130101	DADO COPERCHIO PREFILTRO	21	4405010131	FLANGIA MOTORE 1,5 HP - 3HP
3	4405010702	COPERCHIO PREFILTRO	22	4405010163	RONDELLA DEFLETTTRICE C.71 1/2-1 HP
4	4405010178	O-RING D 151,7x6,99	22	4405010164	RONDELLA DEFLETTTRICE C.80 1,5-3 HP
5	4405010105	CESTO PREFILTRO	23	4405010137	COPERCHIO ANTERIORE MOTORE 0,5 HP
6	4405010179	GUERNICIONE PIANA 72x55x2,5	23	4405010138	COPERCHIO ANTERIORE MOTORE 0,75 - 1 HP
7	4405010106	MANICOTTI DI UNIONE <= 1 HP	23	4405010139	COPERCHIO ANTERIORE MOTORE 1,5 - 2 - 3 HP III
7	4405010107	MANICOTTI DI UNIONE 1,5 HP - 2 HP	23	4405010167	FLANGIA MEC. 2,5-3 HP B14 RIDOTTO CUSCINETTO D52 NERO
7	4405010108	MANICOTTI DI UNIONE 3 HP	24	4405010158	V-RINGS 0,5 HP - 1 HP
8	4405010109	CORPO BOMBA	24	4405010159	V-RINGS 1,5 HP - 3 HP
9	4405010110	TAPPO SCARICO 1/2"	24	4405010176	V-RINGS VA-25 3 HP II
10	4405010206	UNIONE PARTE IDRAULICA-BASE POMPA	25	4405010135	CUSCINETTO MOTORE < 1 HP
10	4405010113	UNIONE PARTE IDRAULICA-BASE 2 HP - 3 HP	25	4405010136	CUSCINETTO MOTORE 1,5 HP - 3 HP
10	4405010180	UNIONS PARTE IDRAULICA-BASE POMPA 3 HP II	25	4405010171	KIT ROLAMENTO 6205 2RS 3,5HP
11	4405010207	PIEDE POMPA	26	4405010143	ASTAS MOTORE C. 63
11	4405010114	PIEDE POMPA	26	4405010144	ASTAS MOTORE 0,75 - 1 HP
12	4405010161	O-RING D 56,7x3,5	26	4405010145	ASTAS MOTORE 1,5 - 3 HP III
13	4405010115	DIFFUSORE <=0,75 HP	26	4405010169	ASTAS MOTORE (90) 3 HP II
13	4405010116	DIFFUSORE 1 HP - 2 HP	27	4405010149	CONDENSATORE 12 uF
13	4405010117	DIFFUSORE 3HP	27	4405020121	CONDENSATORE 14 uF
14	4405010134	TAPPO RUOTA M8 SIN.	27	4405020122	CONDENSATORE 16 uF
15	4405010165	RUOTA 1/3 HP 50 Hz	27	4405010150	CONDENSATORE 18 uF
15	4405010119	RUOTA 0,5 HP II 50 Hz	27	4405010151	CONDENSATORE 20 uF
15	4405010120	RUOTA 0,5 HP III 50 Hz	27	4405010152	CONDENSATORE 25 uF
15	4405010121	RUOTA 0,75 HP II 50 Hz	27	4405010174	CONDENSATORE 32 uF
15	4405010122	RUOTA 0,75 HP III 50 Hz	27	4405010175	CONDENSATORE 40 uF
15	4405010123	RUOTA 1 HP II 50 Hz	27	4405010153	CONDENSATORE 35 uF
15	4405010124	RUOTA 1 HP III 50 Hz	28	4405010154	GRUPPO MORSETTIERA C. 63-71 II
15	4405010125	RUOTA 1,5 HP II 50 Hz	28	4405010155	GRUPPO MORSETTIERA 2-2,5-3 HP (ANDIA)
15	4405010126	RUOTA 1,5 HP III 50 Hz	28	4405010156	COPERCHIO MORSETTIERA C 63-71 III
15	4405010127	RUOTA 2 HP II 50 Hz	28	4405010157	GRUPPO MORSETTIERA C.80-90 III
15	4405010128	RUOTA 2 HP III 50 Hz	29	4405010140	COPERCHIO POSTERIORE MOTORE 1/3 A 1/2 HP
15	4405010166	RUOTA 3 HP II 50 Hz	29	4405010141	COPERCHIO POSTERIORE MOTORE 3/4 A 1 HP
15	4405010129	RUOTA 3 HP III 50 Hz	29	4405010142	COPERCHIO POSTERIORE MOTORE 1,5 - 3 HP III
16	4405010162	RONDELLA DEFLETTTRICE (1/2-3/4-1-1,5-2 HP)	29	4405010168	COPERCHIO MOTORE MEC. 2,5-3 HP CUSCINETTO D52
17	4405010160	GUARNIZIONE FLANGIA MOTORE	30	4405010146	KIT VENTOLA-COPRIVENTOLA 0,5 HP
18	4405010118	GUARNIZIONE MECCANICA	30	4405010147	KIT VENTOLA-COPRIVENTOLA 0,75 - 1 HP
19	4405010132	FLANGIA TENUTA MECCANICA	30	4405010148	KIT VENTOLA-COPRIVENTOLA 1,5 - 2 - 3 HP III
20	4405010133	BUTIONERIA FLANGIA MOTORE	30	4405010170	KIT VENTOLA-COPRIVENTOLA 3 HP II

DEUTSCH

POS.	CODE	DESCRIPTION	POS.	CODE	DESCRIPTION
1	4404130103	SCHLÜSSEL ÜBERWURFMUTTER SCHLEUSE	21	4405010130	MOTORFLANSCH <= 1 HP
2	4404130101	SCHRAUBENMUTTER VORFILTERDECKEL	21	4405010131	MOTORFLANSCH 1,5 HP - 3HP
3	4405010702	VORFILTERDECKEL	22	4405010163	BEILAGSCHEIBE C.71 1/2-1 HP
4	4405010178	O-RING D 151,7x6,99	22	4405010164	BEILAGSCHEIBE C. 80 1,5-3 HP
5	4405010105	VORFILTERKORB	23	4405010137	MOTORDECKEL VORN 0,5 HP
6	4405010179	FLACHDICHTUNG 72x55x2,5	23	4405010138	MOTORDECKEL VORN 0,75 - 1 HP
7	4405010106	ANSCHLUSS-ZUBEHÖR <= 1 HP	23	4405010139	MOTORDECKEL VORN 1,5 - 2 - 3 HP III
7	4405010107	ANSCHLUSS-ZUBEHÖR 1,5 HP - 2 HP	23	4405010167	FLANSCH MEC. 2,5-3 HP B14 VERRINGERT LAGERSITZ D52 SCHWARE
7	4405010108	ANSCHLUSS-ZUBEHÖR 3 HP	24	4405010158	V-RINGS 0,5 HP - 1 HP
8	4405010109	PUMPENKÖRPER	24	4405010159	V-RING 1,5 HP - 3 HP
9	4405010110	ABLAS SCHRAUBE 1/2"	24	4405010176	V-RING VA-25 3 HP II
10	4405010206	HYDRAULIK-ANSCHLUSS-FUSS	25	4405010135	KUGELLAGER MOTOR < 1 HP
10	4405010113	HYDRAULIK-ANSCHLUSS-FUSS 2 HP - 3 HP	25	4405010136	KUGELLAGER MOTOR 1,5 HP - 3 HP
10	4405010180	HYDRAULIK-ANSCHLUSS-FUSS 3 HP II	25	4405010171	KIT ROLAMENTO 6205 2RS 3,5HP
11	4405010207	PUMPENFUSS	26	4405010143	MOTORGESTÄNGE C. 63
11	4405010114	PUMPENFUSS	26	4405010144	MOTORGESTÄNGE 0,75 - 1 HP
12	4405010161	O-RING D 56,7x3,5	26	4405010145	MOTORGESTÄNGE 1,5 - 3 HP III
13	4405010115	DIFFUSOR <=0,75 HP	26	4405010169	MOTORGESTÄNGE (90) 3 HP II
13	4405010116	DIFFUSOR 1 HP - 2 HP	27	4405010149	KONDENSATOR 12 uF
13	4405010117	DIFFUSOR 3HP	27	4405020121	KONDENSATOR 14 uF
14	4405010134	DECKEL LAUFRAD M8 LINKS	27	4405020122	KONDENSATOR 16 uF
15	4405010165	LAUFRAD 1/3 HP 50 Hz	27	4405010150	KONDENSATOR 18 uF
15	4405010119	LAUFRAD 0,5 HP II 50 Hz	27	4405010151	KONDENSATOR 20 uF
15	4405010120	LAUFRAD 0,5 HP III 50 Hz	27	4405010152	KONDENSATOR 25 uF
15	4405010121	LAUFRAD 0,75 HP II 50 Hz	27	4405010174	KONDENSATOR 32 uF
15	4405010122	LAUFRAD 0,75 HP III 50 Hz	27	4405010175	KONDENSATOR 40 uF
15	4405010123	LAUFRAD 1 HP II 50 Hz	27	4405010153	KONDENSATOR 35 uF
15	4405010124	LAUFRAD 1 HP III 50 Hz	28	4405010154	SET VERTEILERDOSE C. 63-71 II
15	4405010125	LAUFRAD 1,5 HP II 50 Hz	28	4405010155	SET VERTEILERDOSE 2-2,5-3 HP (ANDIA)
15	4405010126	LAUFRAD 1,5 HP III 50 Hz	28	4405010156	DECKEL MOTORANSCHLUSSKASTEN C 63-71 III
15	4405010127	LAUFRAD 2 HP II 50 Hz	28	4405010157	SET VERTEILERDOSE C. 80-90 III
15	4405010128	LAUFRAD 2 HP III 50 Hz	29	4405010140	MOTORDECKEL HINTEN 1/3 A 1/2 HP
15	4405010166	LAUFRAD 3 HP II 50 Hz	29	4405010141	MOTORDECKEL HINTEN 3/4 A 1 HP
15	4405010129	LAUFRAD 3 HP III 50 Hz	29	4405010142	MOTORDECKEL HINTEN 1,5 - 3 HP III
16	4405010162	BEILAGSCHEIBE (1/2-3/4-1-1,5-2 HP)	29	4405010168	MOTORDECKEL MEC. 2,5-3 HP LAGERSITZ D52
17	4405010160	DICHTUNG MOTORFLANSCH	30	4405010146	SET VENTILATOR-DECKEL 0,5 HP
18	4405010118	GLEITRINGDICHTUNG	30	4405010147	SET VENTILATOR-DECKEL 0,75 - 1 HP
19	4405010132	VERSCHLUSSFLANSCH	30	4405010148	SET VENTILATOR-DECKEL 1,5 - 2 - 3 HP III
20	4405010133	MOTORENFLANSCH-VERSCHRAUBUNG	30	4405010170	SET VENTILATOR-DECKEL 3 HP II

PORTUGUÊS

POS.	CODE	DESCRIPTION	POS.	CODE	DESCRIPTION
1	4404130103	CHAVE PORCA FILTRO	21	4405010130	MANILHA MOTOR <= 1 HP
2	4404130101	PORCA TAMPAS PRÉ-FILTRO	21	4405010131	MANILHA MOTOR 1,5 HP - 3HP
3	4405010702	TAMPAS PRÉ-FILTRO	22	4405010163	ANILHA DEFLECTORA C.71 1/2-1 HP
4	4405010178	JUNTA TÓRICA D 151,7x6,99	22	4405010164	ANILHA DEFLECTORA C.80 1,5-3 HP
5	4405010105	CESTO PRÉ-FILTRO	23	4405010137	TAMPAS DIANTEIRA MOTOR 0,5 HP
6	4405010179	JUNTA PLANA 72x55x2,5	23	4405010138	TAMPAS DIANTEIRA MOTOR 0,75 - 1 HP
7	4405010106	ACESSÓRIOS DE UNIÃO <= 1 HP	23	4405010139	TAMPAS DIANTEIRA MOTOR 1,5 - 2 - 3 HP III
7	4405010107	ACESSÓRIOS DE UNIÃO 1,5 HP - 2 HP	23	4405010167	MANILHA MEC. 2,5-3 HP B14 REDUZIDO ROLAMENTO D52 PRETO
7	4405010108	ACESSÓRIOS DE UNIÃO 3 HP	24	4405010158	V-RINGS 0,5 HP - 1 HP
8	4405010109	CORPO BOMBA	24	4405010159	V-RINGS 1,5 HP - 3 HP
9	4405010110	TAMPÃO PURGA 1/4"	24	4405010176	V-RINGS VA-25 3 HP II
10	4405010206	UNIÃO HIDRÁULICA PIE	25	4405010135	ROLAMENTO MOTOR < 1 HP
10	4405010113	UNIÃO HIDRÁULICA PIE 2 HP - 3 HP	25	4405010136	ROLAMENTO MOTOR 1,5 HP - 3 HP
10	4405010180	UNIÃO HIDRÁULICA PIE 3 HP II	25	4405010171	CONJUNTO ROLAMENTO 6205 2RS 3,5HP
11	4405010207	PÉ BOMBA	26	4405010143	VARETAS MOTOR C. 63
11	4405010114	PÉ BOMBA	26	4405010144	VARETAS MOTOR 0,75 - 1 HP
12	4405010161	JUNTA TÓRICA D 56,7x3,5	26	4405010145	VARETAS MOTOR 1,5 - 3 HP III
13	4405010115	DIFUSOR <=0,75 HP	26	4405010169	VARETAS MOTOR (90) 3 HP II
13	4405010116	DIFUSOR 1 HP - 2 HP	27	4405010149	CONDENSADOR 12 uF
13	4405010117	DIFUSOR 3HP	27	4405020121	CONDENSADOR 14 uF
14	4405010134	TAMPO RODÍZIO M8 ESQ.	27	4405020122	CONDENSADOR 16 uF
15	4405010165	RODÍZIO 1/3 HP 50 Hz	27	4405010150	CONDENSADOR 18 uF
15	4405010119	RODÍZIO 0,5 HP II 50 Hz	27	4405010151	CONDENSADOR 20 uF
15	4405010120	RODÍZIO 0,5 HP III 50 Hz	27	4405010152	CONDENSADOR 25 uF
15	4405010121	RODÍZIO 0,75 HP II 50 Hz	27	4405010174	CONDENSADOR 32 uF
15	4405010122	RODÍZIO 0,75 HP III 50 Hz	27	4405010175	CONDENSADOR 40 Mf
15	4405010123	RODÍZIO 1 HP II 50 Hz	27	4405010153	CONDENSADOR 35 uF
15	4405010124	RODÍZIO 1 HP III 50 Hz	28	4405010154	CONJUNTO CAIXA LIGAÇÕES C. 63-71 II
15	4405010125	RODÍZIO 1,5 HP II 50 Hz	28	4405010155	CONJUNTO CAIXA LIGAÇÕES 2-2,5-3 HP (ANDIA)
15	4405010126	RODÍZIO 1,5 HP III 50 Hz	28	4405010156	TAMPAS CAIXA BORNES C 63-71 III
15	4405010127	RODÍZIO 2 HP II 50 Hz	28	4405010157	CONJUNTO CAIXA LIGAÇÕES C.80-90 III
15	4405010128	RODÍZIO 2 HP III 50 Hz	29	4405010140	TAMPAS TRASEIRA MOTOR 1/3 A 1/2 HP
15	4405010166	RODÍZIO 3 HP II 50 Hz	29	4405010141	TAMPAS TRASEIRA MOTOR 3/4 A 1 HP
15	4405010129	RODÍZIO 3 HP III 50 Hz	29	4405010142	TAMPAS TRASEIRA MOTOR 1,5 - 3 HP III
16	4405010162	ANILHA DEFLECTORA (1/2-3/4-1-1,5-2 HP)	29	4405010168	TAMPAS MOTOR MEC. 2,5-3 HP ROLAMENTO D52
17	4405010160	JUNTA MANILHA MOTOR	30	4405010146	CONJUNTO VENTILADOR-TAMPAS 0,5 HP
18	4405010118	JUNTA MECÂNICA	30	4405010147	CONJUNTO VENTILADOR-TAMPAS 0,75 - 1 HP
19	4405010132	FLANGE DO SELO MECÂNICO	30	4405010148	CONJUNTO VENTILADOR-TAMPAS 1,5 - 2 - 3 HP III
20	4405010133	PARAFUSOS DA FLANGE DO SELO	30	4405010170	CONJUNTO VENTILADOR-TAMPAS 3 HP II